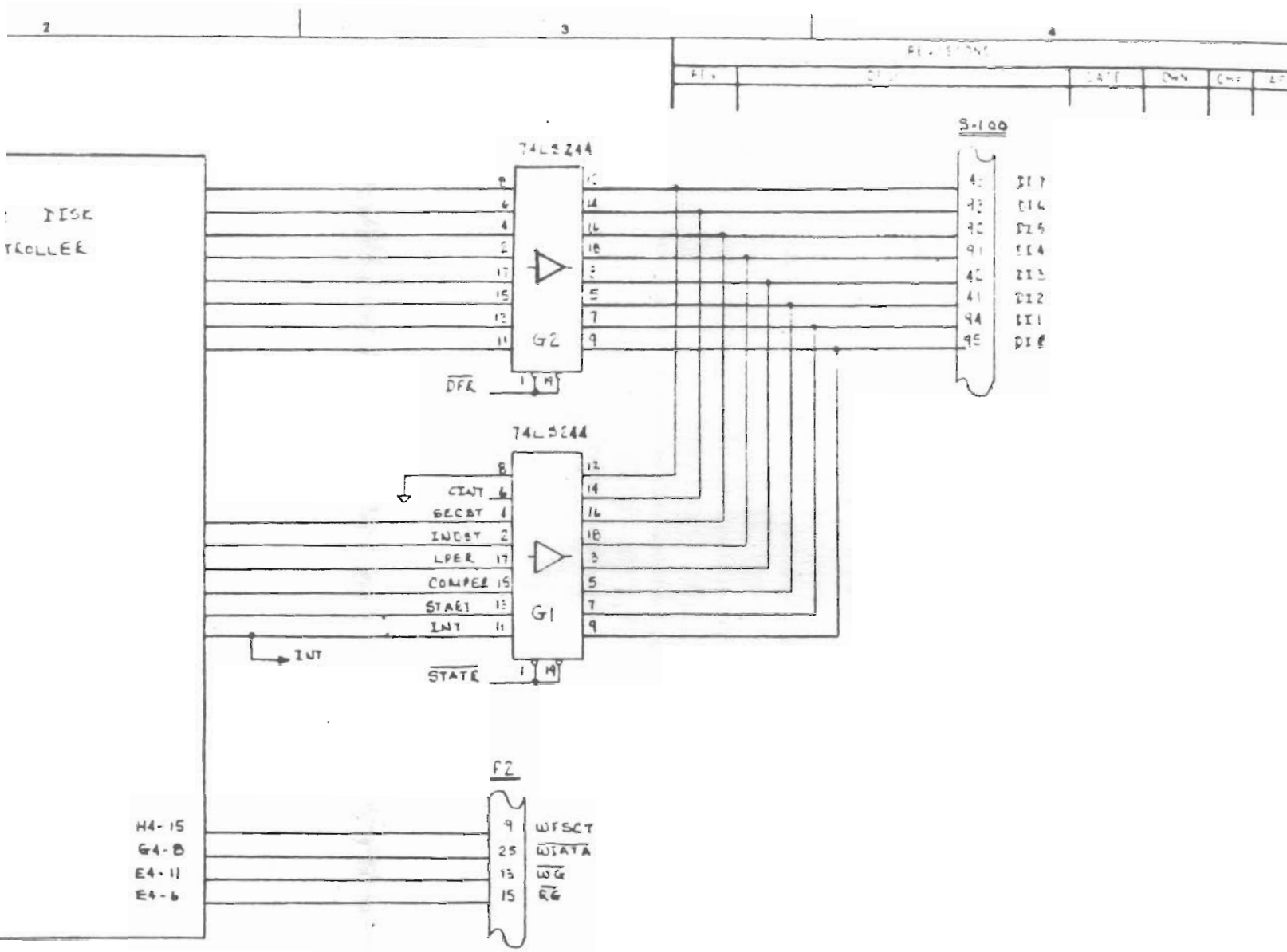


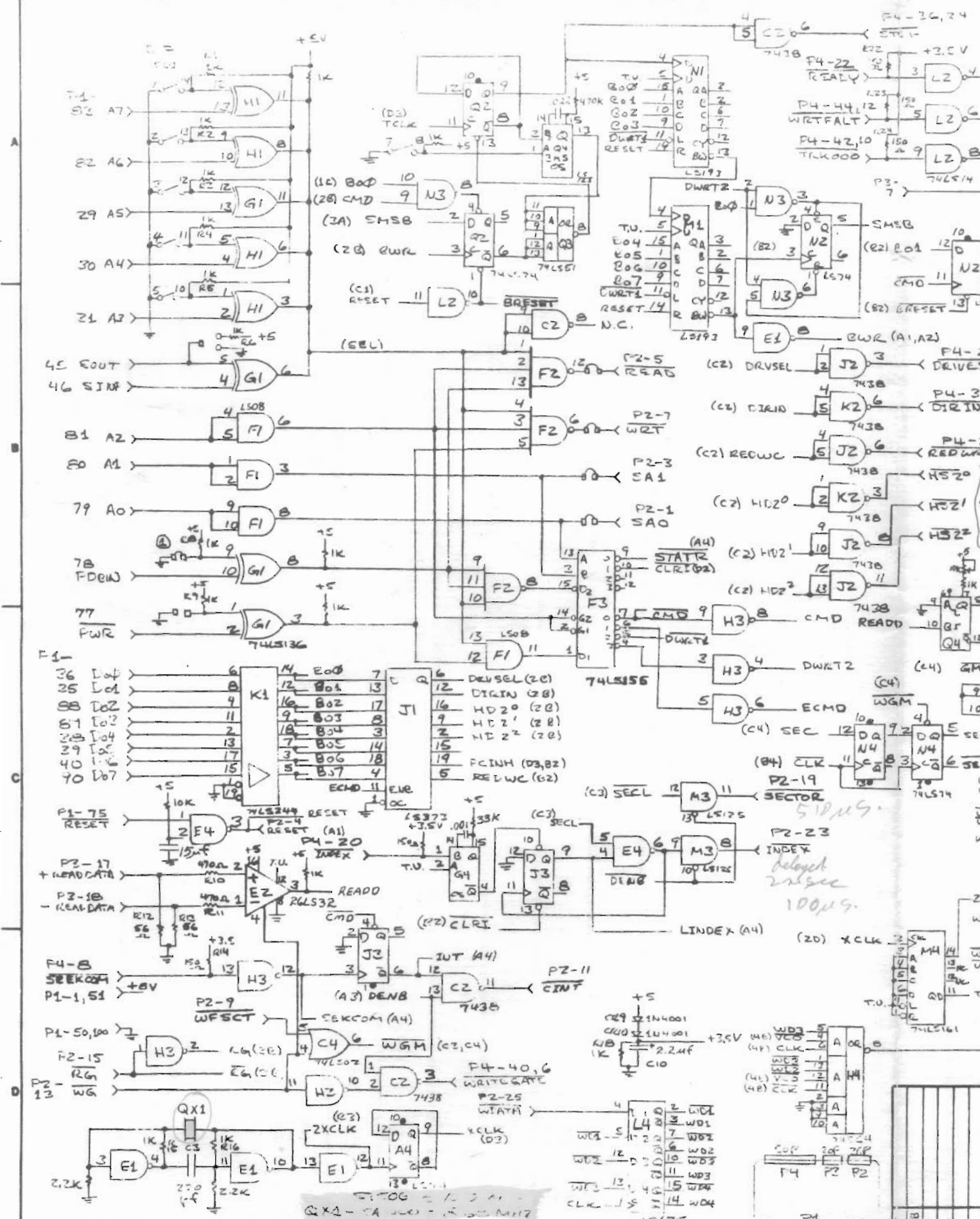
NOTES UNLESS OTHERWISE SPECIFIED

DT	INC	S.P.	W
----	-----	------	---



7
6
5
4
3
2
1

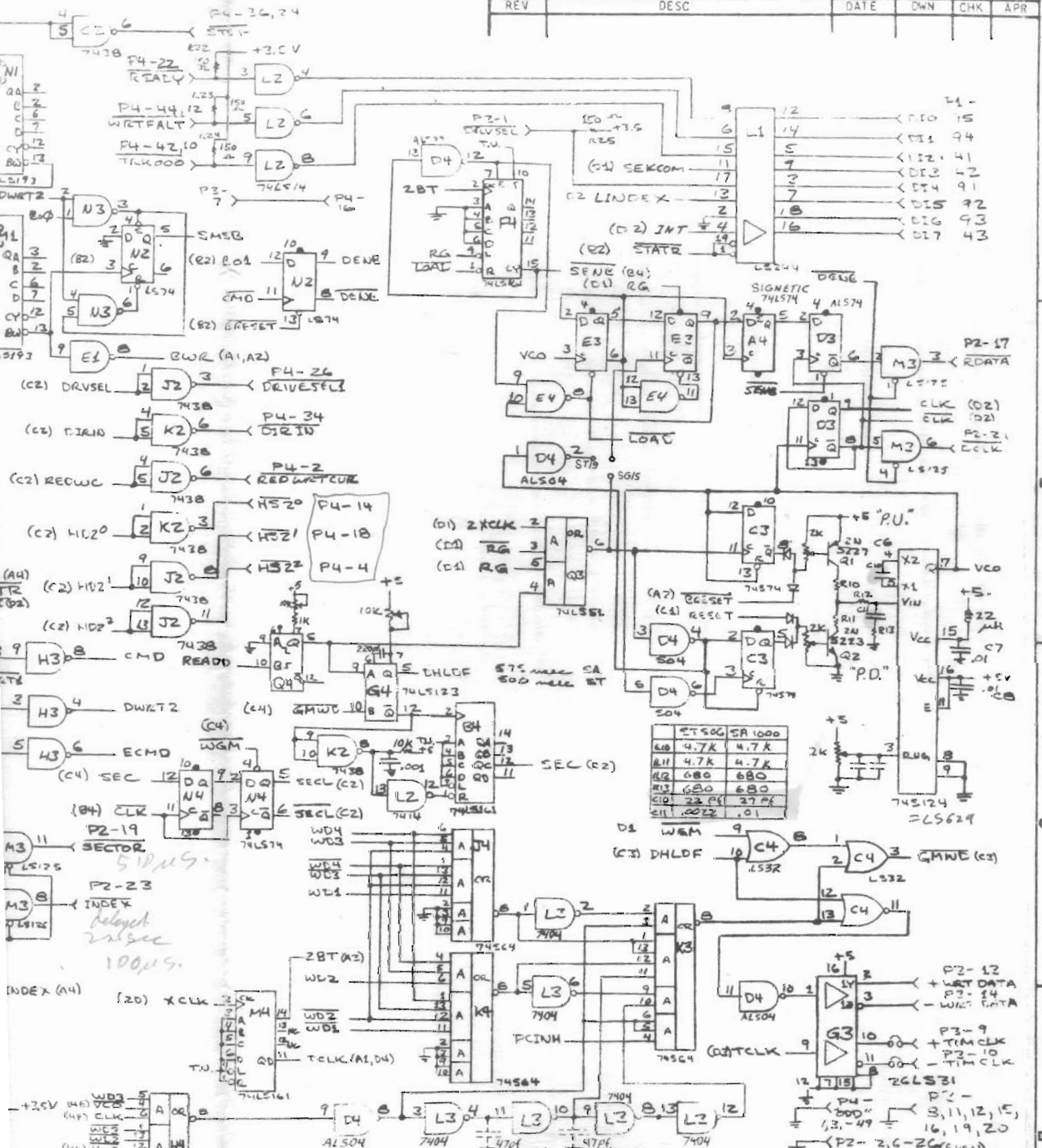
TOLERANCES				DRN	DATE	XCOMP	
.XX ±				CHK	4.1.60	TITLE	
.XXX ±				APP		S-100 DATA BOARD	
ANGLES ±				REL		SIZE	DRAWING NO.
MATERIAL							REV
SUPPLEMENT DOCUMENTS						SCALE	SHT OF



NOTES UNLESS OTHERWISE SPECIFIED () JUNCTION PINS (O.T.U.)

DT	PCB	SP	WL	PL	A
----	-----	----	----	----	---

REVISIONS					
REV	DESC	DATE	DWN	CHK	APR



DATE	1/15/80	DATE	1/15/80	XCOMP TITLE ST/S - SG/S INTERFACE - IEEE 646			
REV	3	CHK	9/10/80				
PCB		APR		SIZE	TYPE	DRAWING NO.	REV
SP		REL		SCALE		00740	3
WL							SHT 1 OF 1
PL							
A							